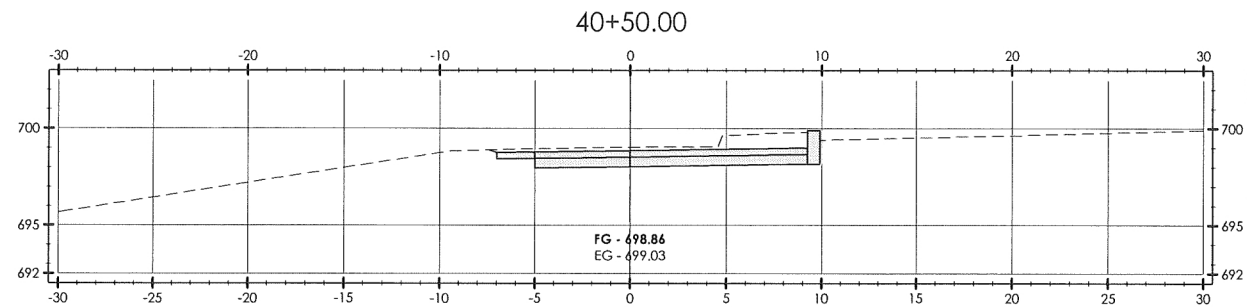
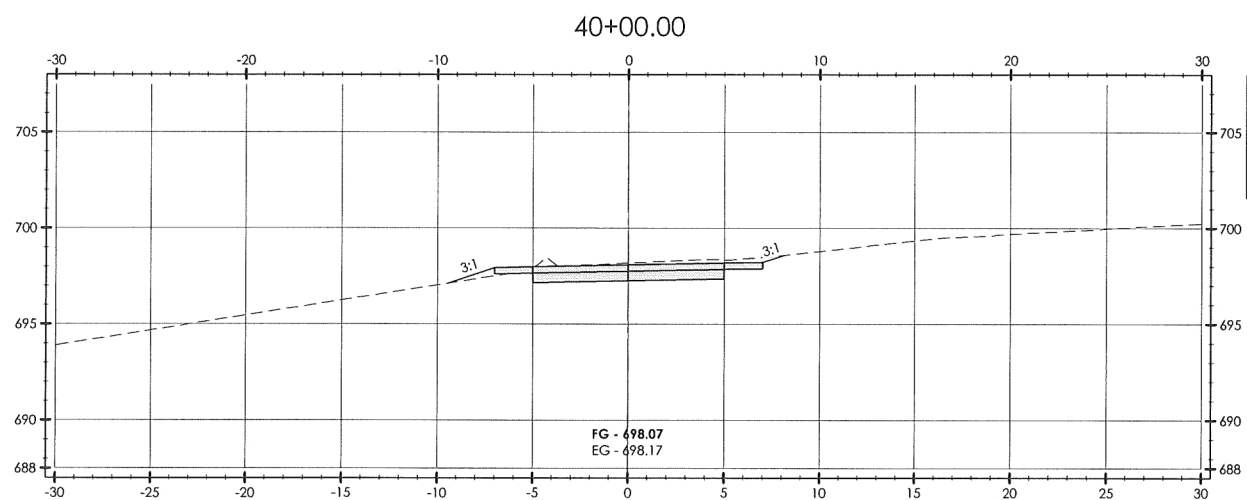


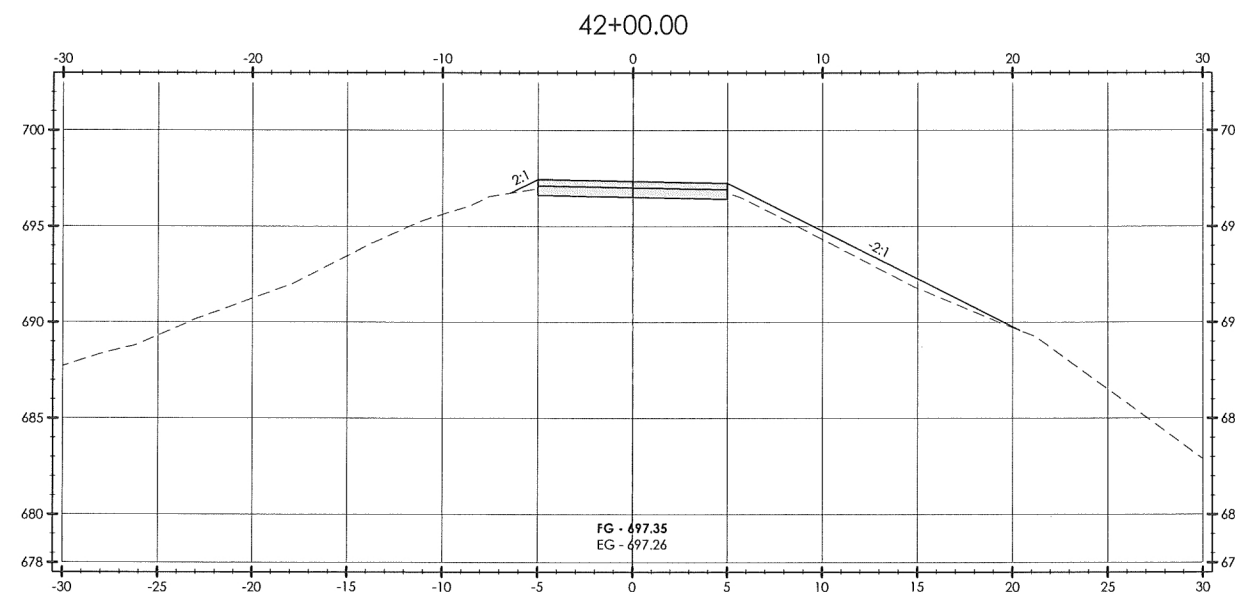
OKLAHOMA DEPARTMENT OF TRANSPORTATION					
FED. ROAD DIST. NO.	STATE	PROJ. NO.	FISCAL YEAR	SHEET NO.	TOTAL SHEETS
6	OKLA.	28844(04)			
DESCRIPTION			REVISIONS	DATE	



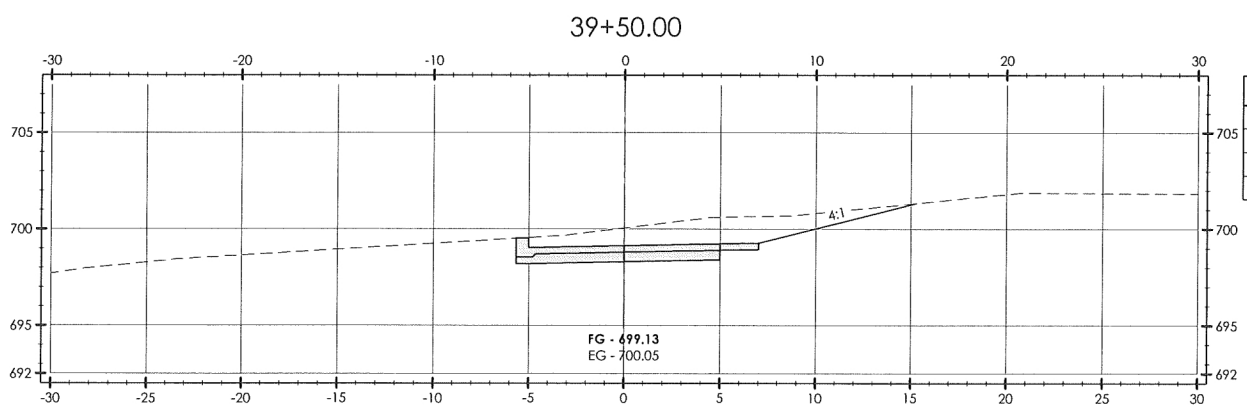
Trail Station 40+50.00	
Cut Area	18.18 SF
Cut Vol	27.08 CY
Fill Area	0.18 SF
Fill Vol	0.84 CY



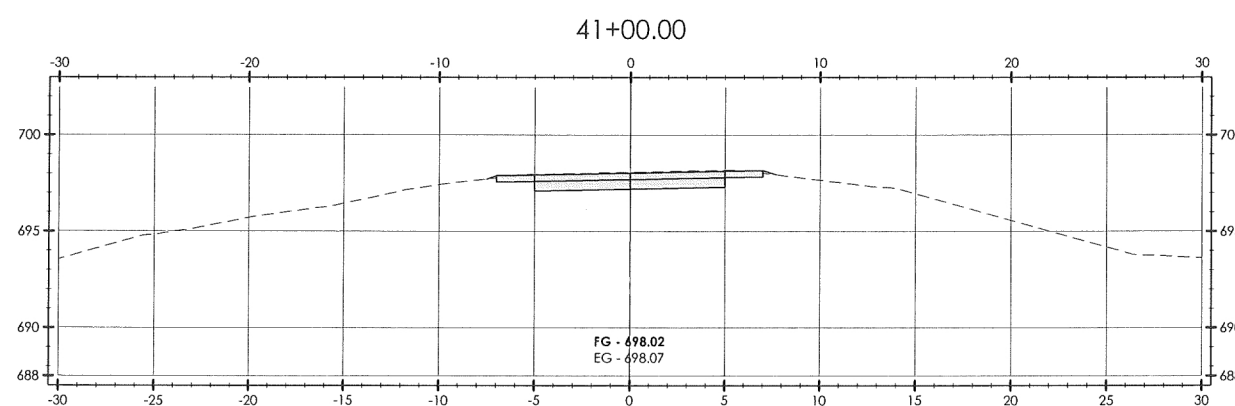
Trail Station 40+00.00	
Cut Area	11.40 SF
Cut Vol	34.05 CY
Fill Area	0.70 SF
Fill Vol	0.71 CY



Trail Station 42+00.00	
Cut Area	5.22 SF
Cut Vol	28.91 CY
Fill Area	6.15 SF
Fill Vol	12.10 CY

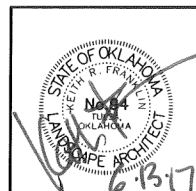


Trail Station 39+50.00	
Cut Area	26.59 SF
Cut Vol	59.76 CY
Fill Area	0.00 SF
Fill Vol	0.00 CY



Trail Station 41+00.00	
Cut Area	10.43 SF
Cut Vol	26.76 CY
Fill Area	0.05 SF
Fill Vol	0.23 CY

F:\582 Sand Springs Park Road Trail\Final\Civil 3D - Base Files\ParkRoadTrail-BASE-Final-R1.dwg, 6/12/2017 4:06:00 PM



City of Sand Springs - Park Road Trail

PREPARED BY: LANDPLAN CONSULTANTS  
1100 WOODSIDE DRIVE TULSA, OK 74104 918.584.6666

Design	JM	7/16
Drawn	JM/BB	8/16
Checked	KF/JM	6/17
Approved		
Squad	LandPlan	

Tulsa County

### CROSS SECTIONS SHEET (14)

STATE JOB NO. 28844(04) Sheet No. 57 of 62